

**MINI RECEPTOR ÓPTICO
47-1000MHZ FTTH**

SOFTTEL®



DESCRIPCION

Mini Nodo Óptico FTTH
Con Filtro WDM CATV Pasante 1310+1490

MODELO

SR201AW

CODIGO WT

4282106

Casa Central

Domingo French 831, B1603BNI, Villa Martelli, BS AS, Argentina
Tel:(54) 011-4709-6650
ventas@wiretechsa.com.ar

Sucursal Córdoba

Diaguitas 3138, Córdoba, CP 5008, Argentina
Te:(54) 0351 476-1313 – 0908
sucursalcordoba@wiretechsa.com.ar

1 - APLICACIÓN

- Red de amplificación de fibra mono-modo 1550nm
 - Redes CATV y FTTH
- Ancho de banda operativo de 1 GHz.
 - Rango óptico de entrada inferior: -3 ~ -18dBm
 - Nivel de salida es mayor que 70dBuV (entrada óptica @ -15dBm)
 - Rango de entrada de potencia óptica -18 ~ -1dBm
 - Bajo consumo de energía <1.0W

2 - DIAGRAMA

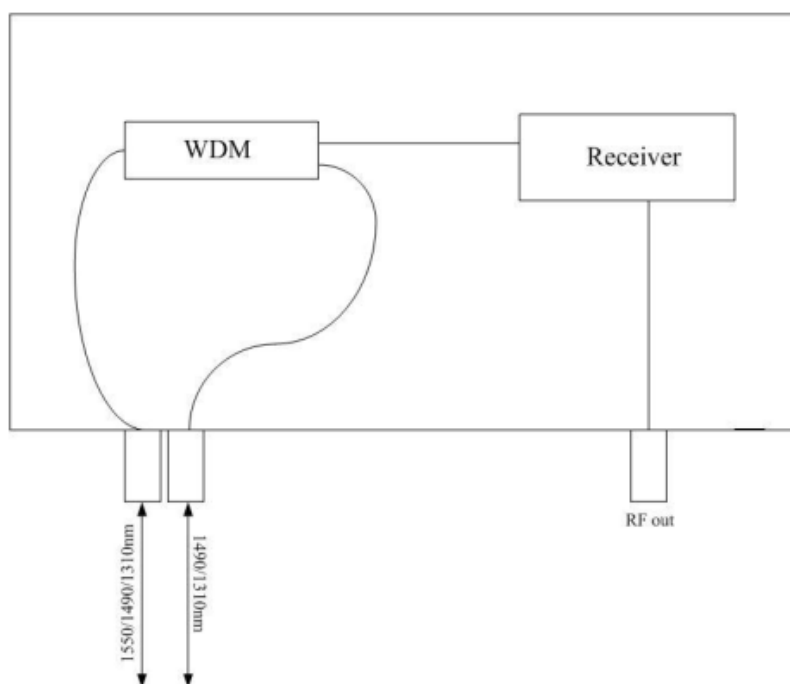


Fig.1 Block Diagram

3 – ESPECIFICACIONES

5	Flatness	± 0.75	dB	47~870MHz, At 25 °C
6	Slope	0~1.0	dB	47~870MHz, At 25 °C
7	Temperature Stability	± 1.0	dB	In the operating temperature range (-25 ~ +65 °C)
8	Output Level	70 \pm 2	dBuV	-15dBm input optical power, per channel modulation 4.0%, in the 860MHz point test, at 25 °C
9	Impedance	75	Ohm	
10	Return Loss (47~1000MHz)	≥ 14	dB	At 25 °C
11	MER	≥ 33	dB	-15~-3dBm input optical power
		≥ 26	dB	-20~-16,dBm input optical power
12	Power	< 1.0	W	
Environmental Parameters				
13	Operating Temperature	-25~65	°C	
14	Storage Temperature	-40~70	°C	
15	Storage Humidity	≤ 95	%	Non- condensation
User Interface				
16	Optical Connector Type	SC/APC in, SC/PC out		SC Optional
17	Power interface	DC5V/0.5A		External adapter
18	RF Output Connector	Metric or imperial		
		Single port or two ports		Optional
19	Optical Power Indicator	Two color lights		Optical power <-20dBm ,red Optical power >-20dBm ,green
20	Housing	110×90×27	mm	
21	Weight	0.15	kg	