
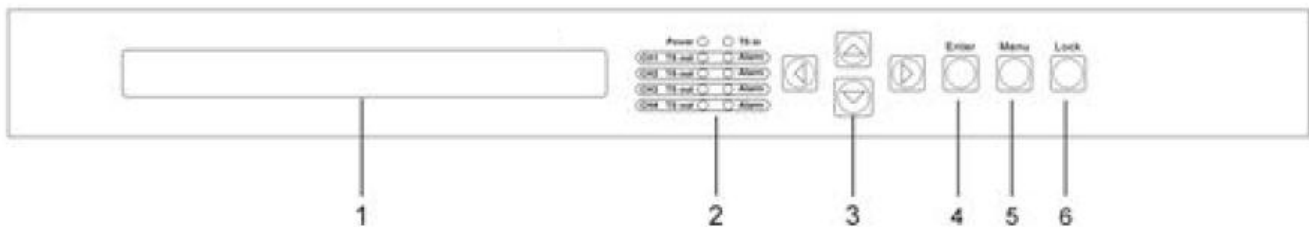


Modelo:	WTMPEG4/AVC	ESPECIFICACIONES TECNICAS	
Fecha:	2013		
Hojas	1 de 3		
Asunto	ENCODER SD 4 ENTRADAS A+V- DVB – MPEG-4 IP		



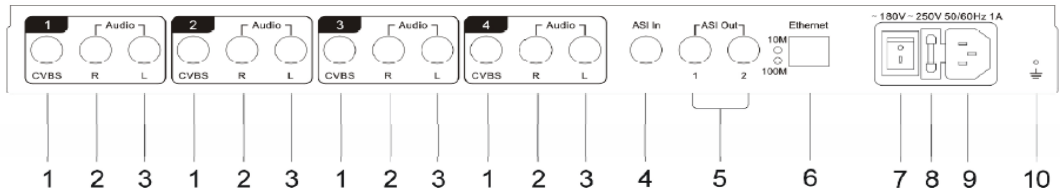
According to the market needs, our company R&D a new broadcast video audio encoding equipment ,which named MPEG4/AVC H.264 4in1 Encoder. Combined our company advanced video audio pretreatment technology, and the most advanced H.264/AVC video encoding algorithm and various audio encoding algorithm, this encoder can achieve high quality audio and video encoding and transmission with low bit rate. It definitely provides users perfect digital video encoding solutions.

## Front Panel Illustration:

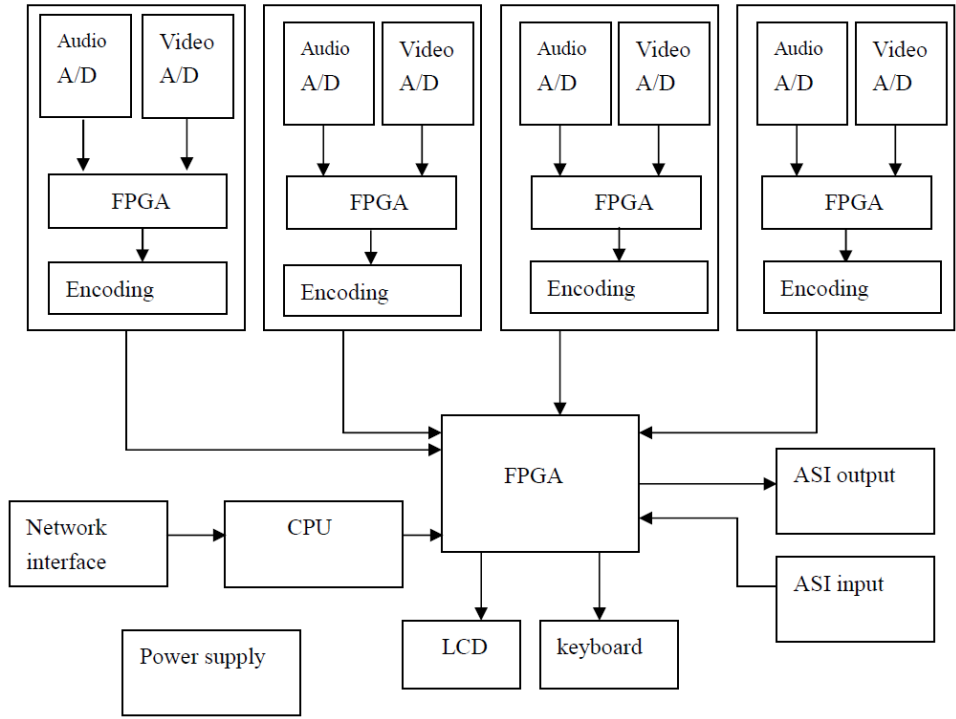


1	LCD Display Interface
2	Power Indicator
	TS Output Indicator
	TS Input Indicator
3	Alarm Indicator
	Left /Right, Up /Down Arrow
4	Enter key
5	Menu Key
6	Lock key

# Rear Panel Illustration



1	Analog Video Constituent Input
2	R: Analog Composite Audio Input (Right Soundtrack)
3	L: Analog Composite Audio Input (Left Soundtrack)
4	ASI Input
5	ASI Output
6	Ethernet Port
7	Power Switch
8	Fuse
9	AC Power Socket
10	Grounding



Signal input	4 CVBS inputs , BNC port
	4 Analog Unbalanced Audio Inputs, BNC ports
	1 TS stream input, BNC ports
Bit stream output	2 Route TS stream outputs, BNC ports
	10/100 Base-T Ethernet port
	MPEG-TS over UDP unicast/multicast
Video encoding	H.264/AVC High Profile Level 3.0
	Resolution:720×480 NTSC / 720×576 PAL
	Single Encoding code rate:800Kb/s~20Mb/s
	GOP structure: I/IP/IBP/IBBP
	Advanced pretreatment: noise reduction sharpen
Audio encoding	MPEG-1 Audio Layer 2
	Sampling frequency:48K/44.1/K/32K
	Sampling precision
	Encoding code rate
System function	LCD/keypress,network management etc various control method
	Ethernet software upgrade