


Modelo: WT-ACFB008	ESPECIFICACIONES TECNICAS	
Fecha: 2013		
Hojas 1 de 2		
Asunto	CAJA DERIVADORA EXTERIOR (GPON)	

## Description

Mainly used in FTTx Project, with the function of mechanical splice, cable distribution. It is can protect and manage the cable effectively.

## Features

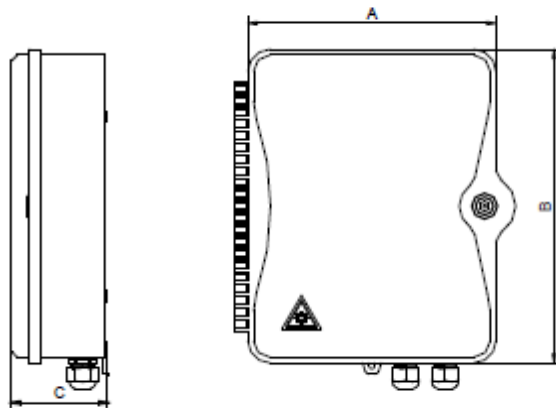
- Fully closed structure, simple and beautiful shape
- Adopted high quality ABS plus PC material, with a good property of dustproof, waterproof, moisture proof , achieved IP 54 Grade
- Suitable for SC and LC duplex adapter
- Flexible splice tray which is convenient for operation and maintaining
- Wall and pole mountable, suitable for indoor and outdoor use

## Technical Conditions

- Work Temperature:  $-40^{\circ}\text{C}$ ~ $+70^{\circ}\text{C}$
- Relative Humidity:  $\leq 85\%$ ( $+30^{\circ}\text{C}$ )
- Atmospheric pressure: 70Kpa~106Kpa
- Insert & Pull out Life:  $\geq 1000$  times
- Material: ABS+PC
- The grounding device is insulated with the Termination box,  $\text{IR} \geq 1000\text{M}\Omega / 500\text{V}$ (direct current)
- Between the grounding device and boxbody, the withstand voltage is over 3000V/Min , no breakdown and flashover.  $U \geq 3000\text{V}$ (Direct current)

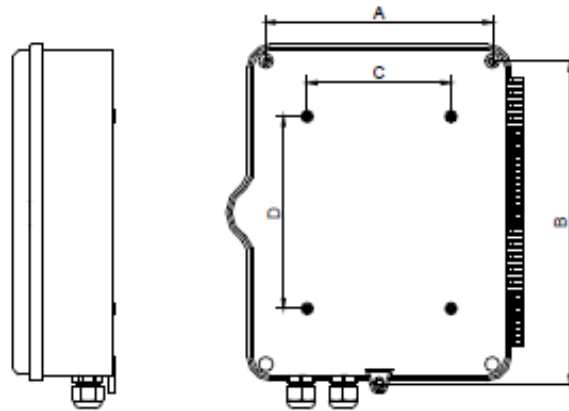
## Dimension

- 220mm×280mm×85mm (A×B×C)



## Installation Dimension

- 190mm×270mm (A×B)
- 120mm×160mm (C×D)



## Wiring Diagram

